

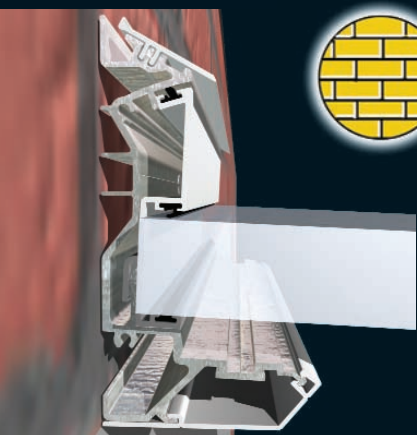
traditional fuses with
contemporary

global 600

a new concept
in low pitch
conservatory
roofing

as low as 2.5° pitch

global 600



wallplate

A custom designed wallplate is a further indication of the commitment made to this new contemporary system. The wallplate is offered up to the wall, and fastened along the guide line. For added strength, the fixing then passes through a channel on the house side of the wallplate, and securely into brickwork. Screwports at the other end of the wallplate have been positioned to make the location of the supplied end caps both quick and easy.



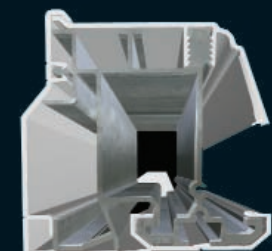
quick to install



starter bar

The new wider starter bar guarantees a consistent finish to the inside by retaining the site line of half a normal glazing bar to the internal edge.

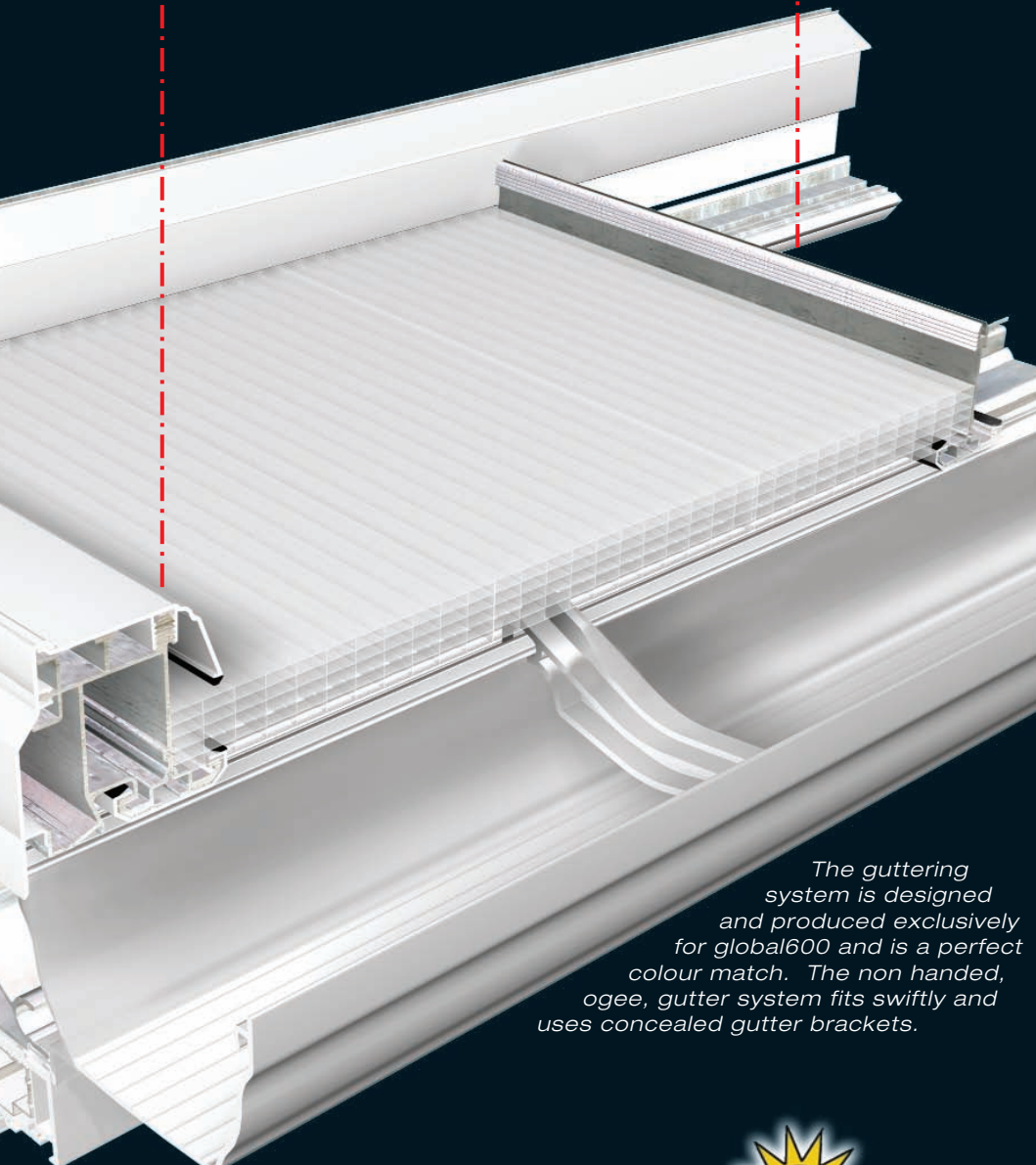
By moving the glazing centre of the starter bar, the conservatory can be glazed with complete 600mm panels, without site trimming, and keeping 600mm frame centres in line with the roof bars. The end frames are not made at smaller widths to allow for corner posts, in fact the frames could even be a DIY mix and match.



600mm centres



We all try to align glazing bars with mullions, yet nobody would ever manufacture window mullions at 500mm centres, can you imagine a pair of one metre wide french doors!. With global600 you can use a pair of 1200mm french doors, and you can align the glazing bars with the mullions.

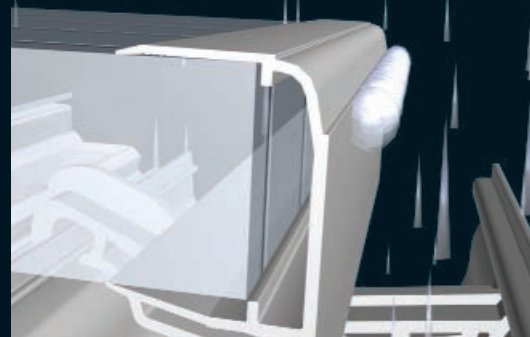


The guttering system is designed and produced exclusively for global600 and is a perfect colour match. The non handed, ogee, gutter system fits swiftly and uses concealed gutter brackets.

35mm polycarbonate



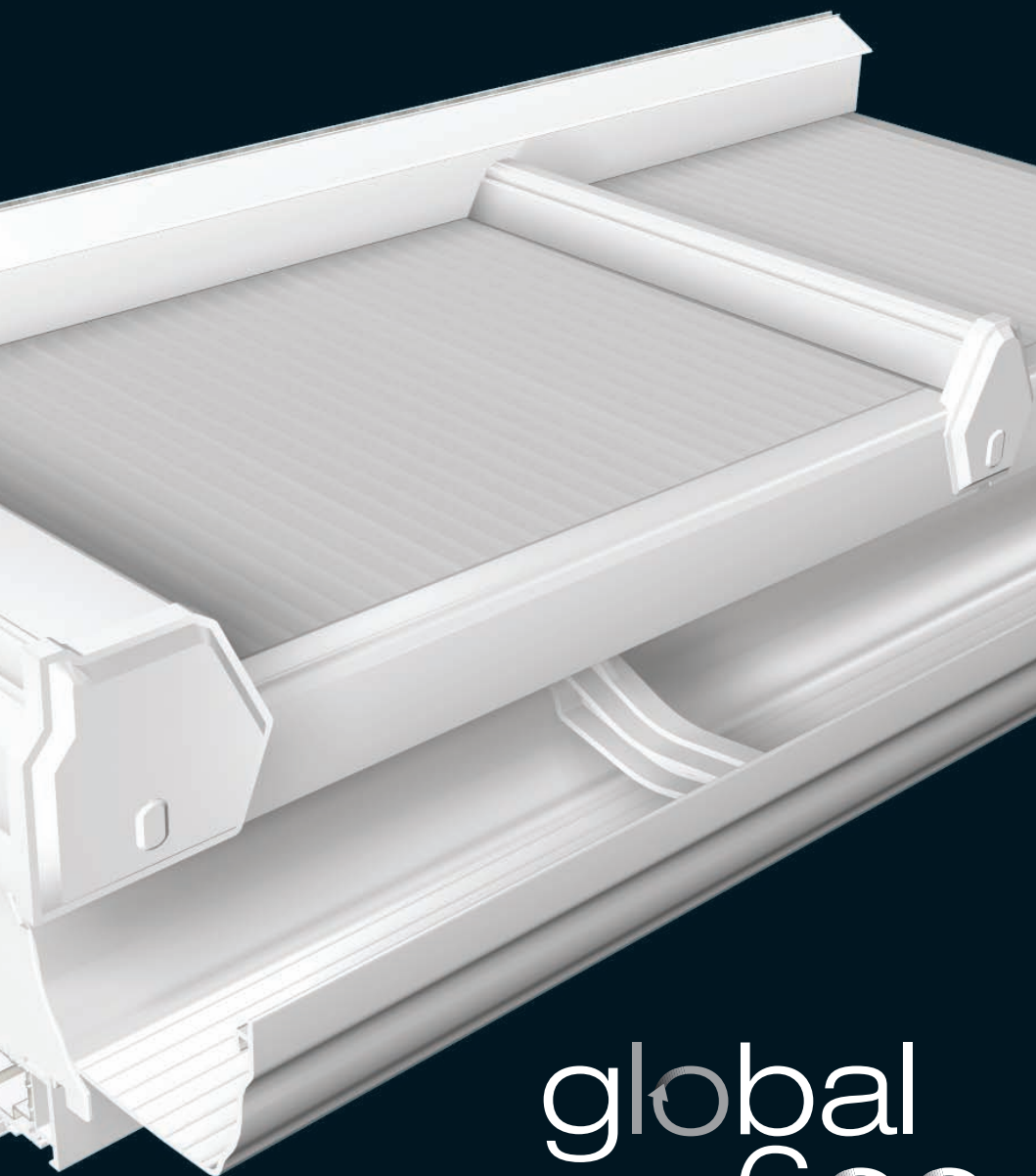
global600 uses 35mm poly for its strength and heat retention properties. At the end of the glazing panel is a coordinating sculptured, deep drip end closure. This stops water tracking back up the panel whilst providing the perfect finish.



We know the UK housing stock is designed on imperial measurements, so we have designed a conservatory roof to match. The 600mm (2ft) glazing centres perfectly match standard UK window sizes making the overall structure easier on the eye. It allows more light in too.

The 2.5 degree pitch makes this the most versatile roof for quick, simple, secure and good looking installations even in the most difficult spaces.

The prepared components come in environmentally friendly single or double packs ready and complete for quick and simple on site installation.



global 600



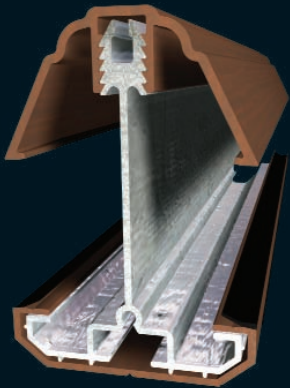
global600 achieves a pitch
as low as 2.5 degrees by using
35mm polycarbonate sheeting.

as low as 2.5° pitch

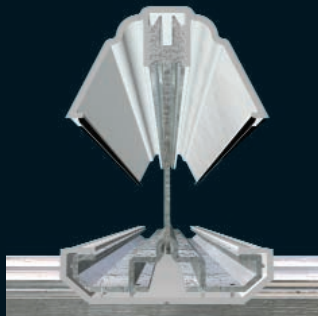


aluminium woodgrain

Not only are the global600 cappings woodgrain foiled, not flat brown, but they are foiled onto an aluminium base, preventing the risk of heat build and warped cappings that need to be replaced after hot summers. As far as the installer is concerned, these buildings can truly be fitted and forgotten.



internal fixing

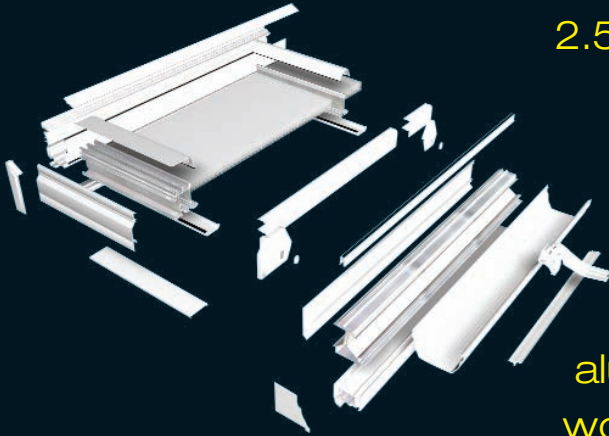


Internal fixing is something that synseal conservatory installers have enjoyed now for many years. Our other conservatory products have proven time after time that the installer does not have to climb on top of half built conservatories, trying to fit small and fiddly nuts into holes drilled through drainage channels. Each glazing bar is simply dropped into position and then, with the supplied m8 13mm nut at each end, is locked down from inside the building.



boxed roof kit

The global600 panels are available in both single and double panel packs. Where other systems provide only double packs sizes, with global600 you do not have to pay for or dispose of roofing panels you don't need.



quick to
install



600mm
(2ft) centres



2.5 degree
pitch



boxed
roof kit



aluminium
woodgrain



35mm
polycarbonate



custom
wallplate



internal
fixing



global 600